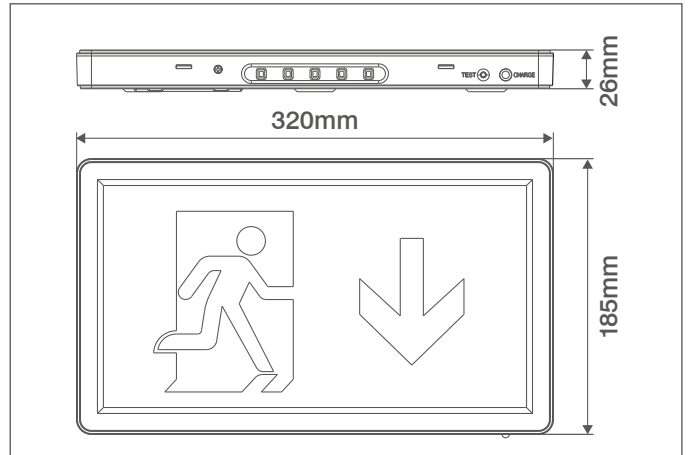


Description: 3W Emergency LED Self-Test Box Maintained Sign White All Legends



### General Information

Dimensions (mm)	320 (L) x 26 (D) x 185 (H)
Materials	Housing: Polycarbonate; Sign: Acrylic
Colour	White
Product Weight (Kg)	0.63
Ingress Protection	IP20
Self-Test Facility	Yes
Warranty (Years)	4

### Supply & Power Information

Continuous Operating Voltage (AC) (Hz)	220-240 (50/60)
Safety Class	1
Circuit Wattage (W)	3
Operation Mode	Maintained or Non-maintained
Cable Entry	Ø20mm Aperture In Rear
Operating Temperature (°C)	0 to +40
Maximum Critical Temperature (°C)	+70

### Luminaire Output

Colour Temperature (K)	6500
Typical Luminous Flux (lm)	45
Beam Angle (°)	120
Viewing Distance (M)	29
LED Lifetime (L70) (Hours)	50000

### Emergency Backup Information

Self-Test Facility	Yes
Emergency Luminous Flux (lm)	34
Battery Specification	3.6V 800mAh Ni-Cd Battery - Parallel
Minimum Duration (Hours)	3

### Compatible Accessories

OVEMB3608NCP - 3.6V 800mAh Ni-Cd Battery - Parallel
---



OVIA Limited, Scolmore House, Mariner, Lichfield Road Industrial Estate,  
 Tamworth, Staffordshire, B79 7UL United Kingdom  
 T: +44 (0)1827 300640  
 E: sales@oviaUK.com | W: oviaUK.com



Catalogue



Section



DoC



Installation

